

# “X-MART” Range Axial Fans

## Deluxe Fans

- Low Profile
- 10 Models
- Fixed or Automatic Front Opening Grille
- For Walls, Ceilings and Windows
- 3 Versions - Standard
  - Timer
  - Humidity Control
- White or **STAINLESS STEEL**



Uniclass L7534



CE

IPX4



## GENERAL FEATURES

- Ultra modern, technically innovative fans in stainless steel or white.
- 10cm [4" dia]
- Fixed or automatic front opening grille



- Axial fans to exhaust air and fumes directly outside or through short lengths of ducting.
- Extremely quiet operation
- Indicator light to show when operating
- Easy to install in walls, ceilings, or windows (with optional window kit - XMWK).
- Innovative quick-fit installation system for walls - no screws required
- Easy ceiling installation with (optional) Ceiling Ring
- Removable front without screws for easy cleaning.

- Streamlined for improved air flow
- Timer is adjustable between 3 and 15 minutes.
- Dynamic humidistat incorporates night-time set back and anti-hunting device.
- Incorporates protection against incoming draughts



- All the "X-MART" fans have casings from shock proof and heat resistant plastics.
- Motors are double insulated and of the shaded pole type mounted on self-lubricating, sealed ball bearings for long life.
- Motors incorporate a thermal cut-out.
- Can be installed in ambient temperatures of up to 40°C.
- They are CE marked

- **IPX4 - Splashproof** rated models can safely be installed in Zones I and II
- Vectaire Ltd can supply wall kits, window kits and flexible or rigid ducting for use with these fans

### Range:

- **XM 10** - standard model
- **XM 10T** - with overrun timer
- **XM 10A** - standard with automatic front opening grille
- **XM 10AT** - with automatic front opening grille and overrun timer
- **XM 10AH** - with automatic front opening grille and humidity control with overrun timer

(models available in "SS" stainless steel versions)

THE "X-MART" RANGE OF FANS WILL PROVIDE EFFICIENT, EFFECTIVE VENTILATION WHILST ENSURING COMPLIANCE WITH THE CURRENT BUILDING REGULATIONS REQUIREMENTS.

## TECHNICAL CHARACTERISTICS

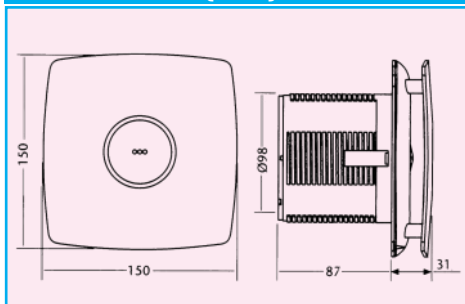
	V	W	rpm	Capacity		Maximum Pressure		Max Sound db	Hole dia mm	IPX4
				m <sup>3</sup> /hr	l/sec	mmH <sub>2</sub> O	Pa			
<b>XM 10s</b>	230	15	2500	98	27	3	29	37	100	yes

### Typical Installation

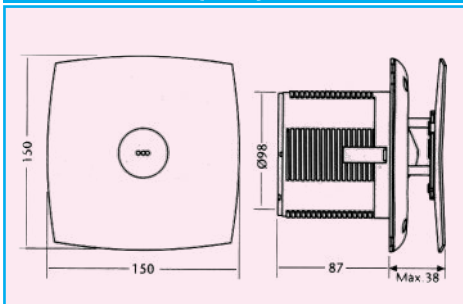
Supply and install an XM10AHSS axial fan with a stainless steel front cover as supplied by Vectaire Ltd, Lincoln Road, Cressex Business Park, High Wycombe, Bucks, HP12 3RH.

The fan is to be suitable for installation either into a ceiling, wall or window (with the appropriate accessories), and be complete with an integral, adjustable, dynamic humidistat, an integral adjustable timer and an automatic front cover. There should be a neon on the front of the fan to indicate when it is operating. The fan casing should be made of shockproof and heat resistant plastic, contain a motor with sealed, self-lubricating bearings, and be protected with a thermal cut-out. The fan should be double insulated and be suitable for installation into Zones I and II. The fan is to be CE marked and comply with Building Regulations requirements for installation into a toilet.

### DIMENSIONS (mm) - X-MART



### DIMENSIONS (mm) - X-MART-A



### Vectaire Ltd

Lincoln Road  
Cressex Business Park  
High Wycombe  
Buckinghamshire  
HP12 3RH

Tel: +44(0)1494 522333

Fax: +44(0)1494 522337

Email: [sales@vectaire.co.uk](mailto:sales@vectaire.co.uk)

Web: [www.vectaire.co.uk](http://www.vectaire.co.uk)

