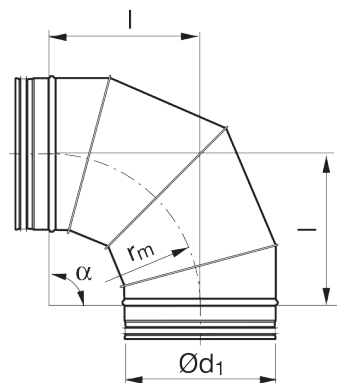


Bend – lockseamed

BFU, BF 90°



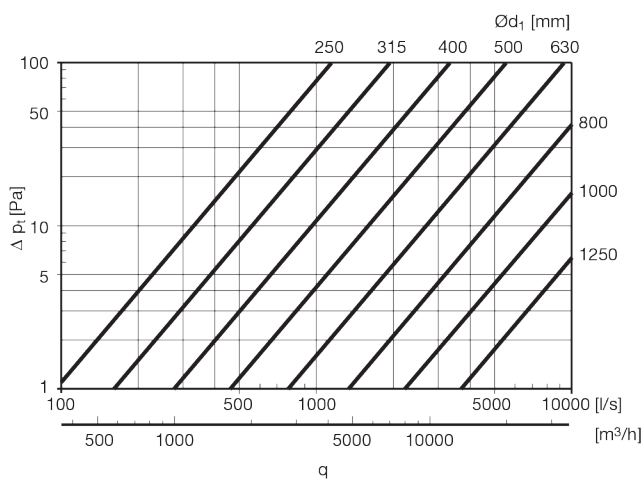
Dimensions



$$r_m \approx 1 \cdot d_1$$

Description

Segmented and lockseamed bend.



BFU- Eurovent certified Lindab Safe fitting with gasket.
 BF- Lindab Vent fitting without gasket.

| $\text{Ø}d_1$ nom | l mm | m kg | Number of seg- ments |
|----------------------|---------|---------|----------------------------|
| 250 | 250 | 2,20 | 4 |
| 280 | 280 | 2,50 | 4 |
| 300 | 300 | 2,7 | 4 |
| 315 | 315 | 3,00 | 4 |
| 355 | 355 | 3,75 | 4 |
| 400 | 400 | 5,64 | 4 |
| 450 | 450 | 7,00 | 4 |
| 500 | 500 | 8,20 | 4 |
| 560 | 560 | 10,1 | 4 |
| 600 | 600 | 11,7 | 4 |
| 630 | 630 | 12,9 | 4 |
| 710 | 710 | 19,8 | 4 |
| 800 | 800 | 26,0 | 4 |
| 900 | 900 | 33,6 | 4 |
| 1000 | 1000 | 42,0 | 5 |
| 1120 | 1120 | 52,6 | 5 |
| 1250 | 1250 | 64,0 | 5 |

Ordering example

