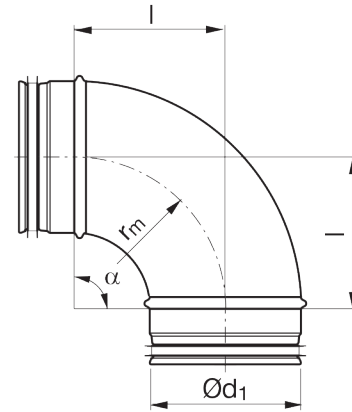


# Bend

BU, B 90°



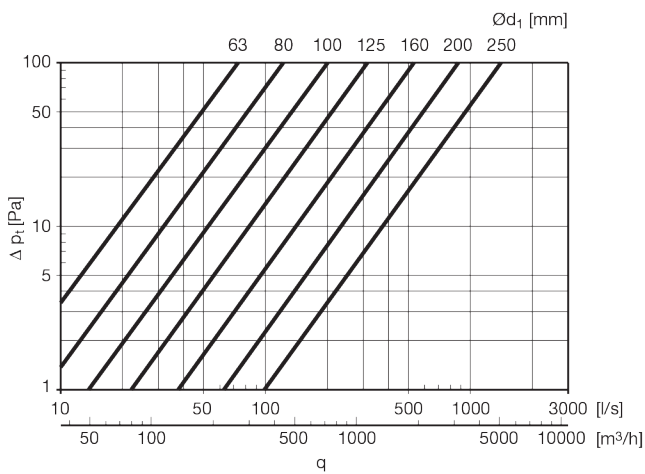
## Dimensions



$$r_m \approx 1 \cdot d_1$$

## Description

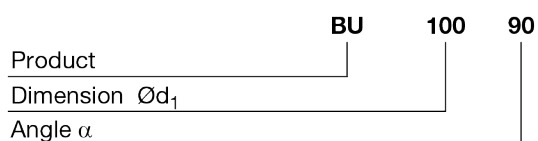
Pressed and seam welded bend.



$\text{O}_{d_1}$ nom	l mm	m kg
63	110	0,20
80	105	0,26
100	100	0,31
112	120	0,39
125	125	0,48
140	140	0,66
150	150	0,66
160	160	0,62
180	180	1,02
200	200	1,12
224	225	1,33
250	242	1,77

BU- Eurovent certified Lindab Safe fitting with gasket.  
B- Lindab Vent fitting without gasket.

## Ordering example



- 1
- 2
- 3
- 4
- 5
- 6
- 7
- 8
- 9
- 10
- 11
- 12
- 13
- 14
- 15
- 16
- 17
- 18