

Mechanical Extract Ventilation (MEV)

CMX-MULTI



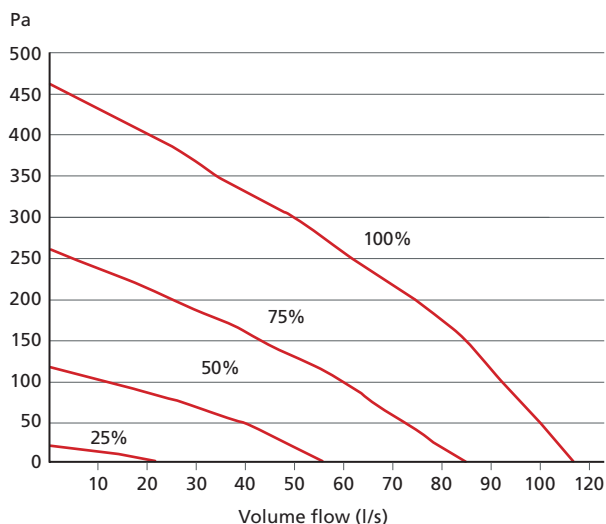
Premium
Manufactured in the UK

Code	Description	Unit
CMX-MULTI	CMX-MULTI Mechanical Extract Ventilation Unit	1
CMX-MULTI-H	CMX-MULTI Mechanical Extract Ventilation Unit with Integral Humidistat	1

Key features

- ▶ Excellent SFP results down to 0.14 W/l/s
- ▶ CMX-MULTI-H has integral humidistat, ideal for specification works
- ▶ 3 inlet spigots for simplified multi-room extraction
- ▶ 204x60mm spigots allowing direct duct runs from the unit, saving time and money on site

Performance – 3 open inlets



CMX-MULTI Product Characteristics Database (SAP 2012)

Kitchen + n wet rooms	Power (W)	Flow (l/s)	SFP (W/l/s)
Kitchen + 1 wet room	2.89	21	0.14
Kitchen + 2 wet rooms	4.5	29	0.16
Kitchen + 3 wet rooms	7.22	37	0.20
Kitchen + 4 wet rooms	11.13	45	0.24
Kitchen + 5 wet rooms	16.3	53	0.31
Kitchen + 6 wet rooms	22.42	61	0.37

Specification	230V
Max Extract Volume (m ³ /h)	409
Max Extract Volume (l/s)	113.5
Max Pressure (Pa)	460
Max Power (W)	63.5
Supply Frequency (Hz)	50
Max Sound dB(A)@3m	45
Socket Size (mm)	204 x 60
Insulation Class	1
Weight (kg)	3.1
Max Operating Temperature (°C)	40

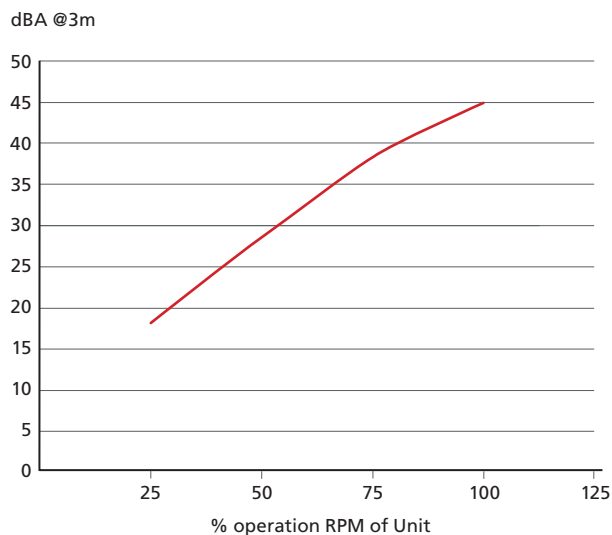
Installation

Flexible installation. Can be fitted horizontally or vertically:

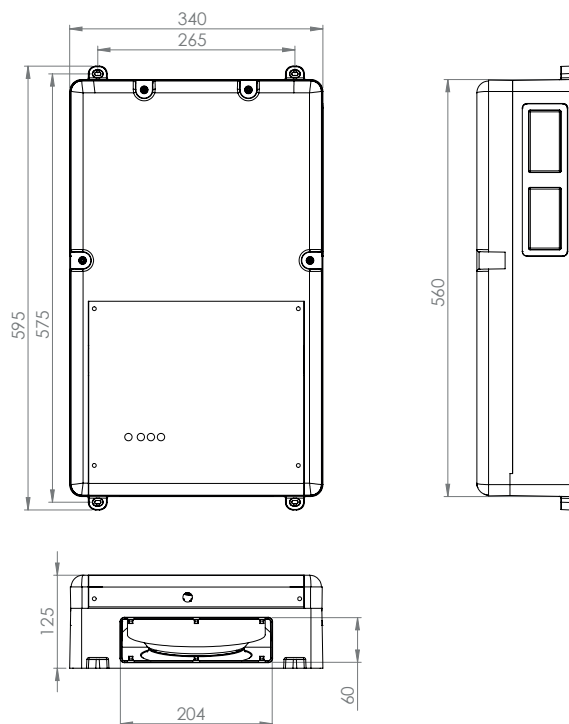
- ▶ Inside a kitchen cupboard or utility room
- ▶ Direct to a ceiling or in a loft space
- ▶ Within a joist space



Sound performance



Dimensions



Visit our website to see our full range of Duct and Ancillaries. With 8 profiles to choose from Domus Ventilation can supply the entire solution via a wide selection of National stockist and distributors.

Breakout sound performance

Fan speed	Test	Frequency/ Hz								Breakout dBA @ 3m	LwA
		63	125	250	500	1K	2K	4K	8K		
		Sound Power Levels dB re 1pW									
100%	Open inlet	61	55	66	70	69	66	61	54	-	73
100%	Open outlet	56	56	69	75	72	71	65	57	-	77
100%	Breakout	56	59	64	65	59	56	49	37	45	65
75%										34	
50%	Open inlet	48	49	55	49	53	48	38	29	-	56
50%	Open outlet	46	47	58	54	54	52	42	32	-	58
50%	Breakout	40	49	53	48	42	37	25	13	28	49
25%										17	

Model

CMX-MULTI/ CMX-MULTI-H

	Low/Boost Switch	Occupied/Unoccupied Switch	Low/Boost/Purge Switch	Timer	Humidity	Neon Indicator	Duct Mounted Sensor	PIR	6 Input Junction Box	Air Supply Kit with White Cowl	Air Supply Kit with Brown Cowl
--	------------------	----------------------------	------------------------	-------	----------	----------------	---------------------	-----	----------------------	--------------------------------	--------------------------------

Controls

ANC848A	•										
ANC850A			•								
ANC108A				•							
ELE150R									•		
ANC802A				•	•						
ANC808A				•	•	•					
ANC846A				•	•		•				
ANC813A				•				•			