



Installation Instructions



This appliance is not intended for use by persons (including children) with reduced physical, sensory or mental capabilities, or lack of experience and knowledge, unless they have been given supervision or instruction concerning use of the appliance by a person responsible for their safety.



Domus Ventilation

Cambria House
Caerphilly Business Park
Van Road
Caerphilly
CF83 3ED
Tel: +44 (0)3443 715523
Fax: +44 (0)3443 715524
Email: vent.info@domusventilation.co.uk
www.domusventilation.co.uk

230V ac - 50Hz 15W
35W IP24



ISSUE 3
LAB566R

Curzon Centrifugal

DESCRIPTION

The Curzon is a centrifugal fan unit which is fitted with a maintenance free rubber mounted motor and not return shutters.

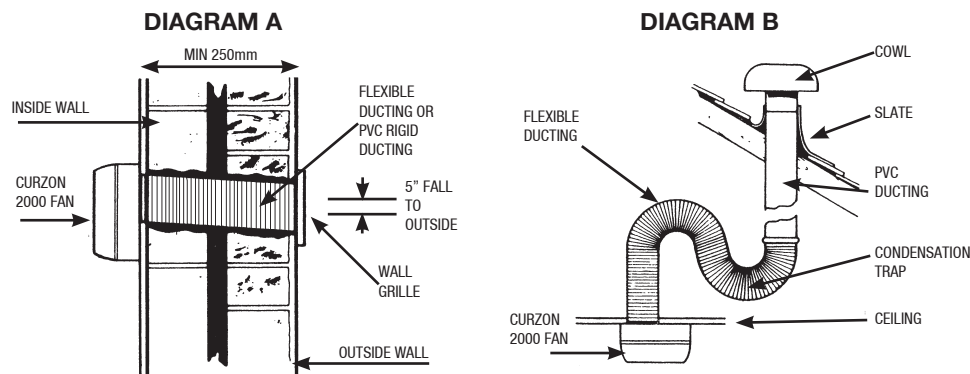
MODELS WITH PULLCORD SWITCHES ARE NOT SUITABLE FOR CEILING MOUNTING.

CURZON CENTRIFUGAL RANGE	
CUR7001B	Standard
CUR7002B	With pull-cord switch
CUR7003B	With Timer
CUR7004B	With Intelligent Humidistat

DISCHARGE PROVISION

Discharge may be via a roof cowl and weathering slate or horizontally via a Silavent wallgrille. Any type of grille may be used provided the free area is adequate 9 in² (55 cm²). Horizontal discharge ducting should slope slightly downwards to the external grille to allow condensation to drain away (diagram A).

Roof discharge ducting which may be exposed to low temperatures in the roof space should allow for condensation to be trapped in the duct (diagram B).



DUCTING

The Curzon may be used with either 75mm (3") or 100mm (4") ducting. A 75mm-100mm adaptor ring is supplied. It is also suitable for use with Silavent Flat Duct.

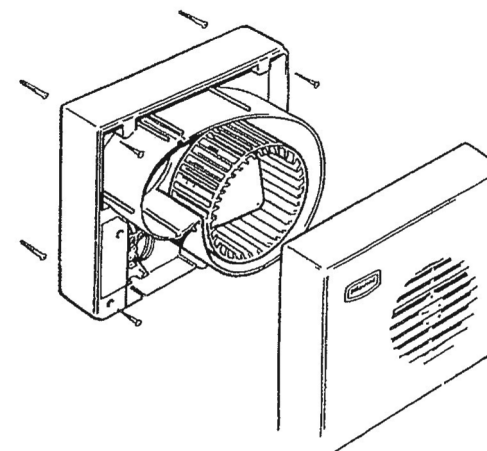
MAINTENANCE

Isolate from power supply. The outside of the unit may be wiped clean with a damp cloth. Once a year the front cover should be removed and the inside dusted with a soft brush.

**WARNING : ISOLATE ELECTRICITY BEFORE STARTING WORK
MAXIMUM ROOM TEMPERATURE 55°C**

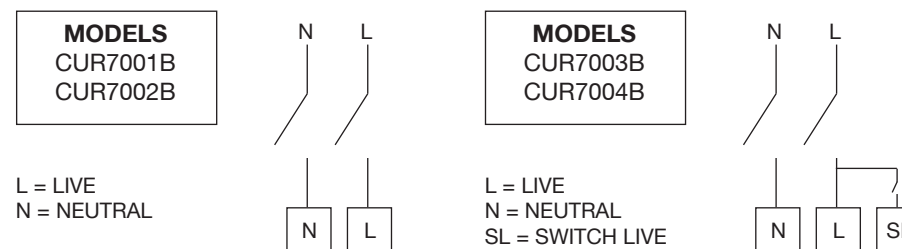
INSTALLATION INSTRUCTIONS

1. Remove front cover by removing screws (1). Mark discharge position on wall using fan body as template.
2. After making good the ducting installation, hold up the fan body and mark the fixing holes and cable entry positions.
3. Use the adaptor ring if using 100mm ducting.
4. Drill and plug the fixing holes.
5. Insert power supply cable through the cable entry hole in the fan body and screw fan into position on wall.
6. Make power connections as detailed below.
7. Replace front cover and test unit.



WIRING

Make connections as marked on fan body.



We recommend that all fans incorporating a humidity control be wired as instructed with a switch live. The integral sensor cannot detect bad odours or other pollutants that require ventilation and in these circumstances, the fan will need to be started using a manual method.

WARNING

POSITIONING OF THE FAN UNIT MUST BE SO AS TO AVOID THE BACK FLOW OF GASES FROM OPEN FLUE OR OTHER FIRE APPLIANCES.

TO PROFESSIONAL INSTALLERS

PLEASE LEAVE THIS INSTRUCTION BOOKLET WITH THE FAN ON COMPLETION OF THE INSTALLATION.