

Nuaire, Western Industrial Estate, Caerphilly, CF83 1NA, United Kingdom. email:info@nuaire.co.uk

UK Commercial enquiries T:029 2085 8200 UK Residential enquiries T:029 2085 8500 International enquiries T:+44.29 2085 8497

Whilst the information given on this data sheet is fan specific, it is in summary and reference to the product selection catalogue and installation & maintenance documents is recommended.
 This data sheet produced on 07 Nov 2022 11:40 using software version 5.7.4475.0

Technical Data

ILMEC - In-line Mixed Flow with EC Motor
 Fan Code: **ILMEC-150**

Maximum Fan Speed: 2 pole, 3,018 RPM
 Electrical Supply: 230V, 1 Phase, 50 Hz
 Nominal Motor Rating: 0.065 kW
 Motor current (flc): 0.53 A
 Motor starting current (sc): 0.53 A

Max. operating temp: 55°C
 Weight: 2.3 kg

Starting currents are nominal. 4 kW and above are for Star Delta, all others are for D.O.L. starting.

Sound Data

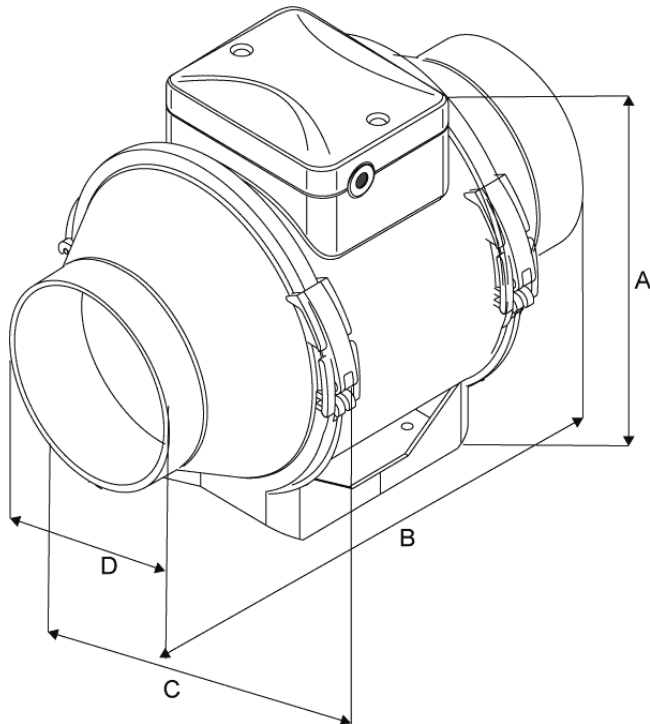
Noise calculated speed controlled to required duty (100%)

Sound Power Levels re 1 pWatts (Hz):									
Hz	63	125	250	500	1k	2k	4k	8k	dBa
Induct Inlet	63	64	64	68	65	72	59	52	
Induct Outlet	81	79	72	75	69	72	64	55	
Breakout	68	70	64	68	62	66	52	39	52

dBa is hemi-spherical at 3 metres. For spherical deduct 3 dBA.
 Values shown are for inlet Lw, outlet Lw sound power & breakout levels for: Installation Type D: ducted inlet, ducted outlet. Ratings include the effects of duct end correction.

Please note that the noise data stated on this data sheet for the unit and/or silencer is tested in accordance with UK, European and International industry laboratory standards. However onsite conditions may vary and we would recommend that this information is verified by an acoustic specialist in order to ensure its suitability for the intended application.

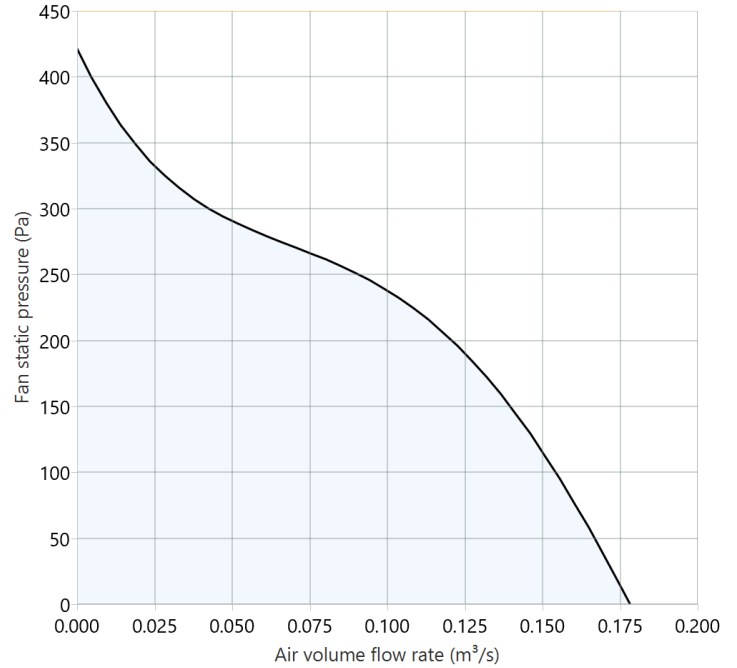
Fan Dimensions



A	B	C	kg
289	254	217	2.3
Length:	Width:	Height:	
254	217	289	
Spigot size:	148		

Drawing is for dimensional purposes only. Dimensions in mm.
Please see selected ancillaries section for additional dimensions for any requested additional ancillaries.

Performance Chart



Specification

Mixed flow inline fan with high efficiency EC motor. Polypropylene moulded casing. Removable central unit with a motor, impeller and terminal box is attached to the fittings by means of special mounting brackets with integral latches. Unit has flat mounting plate for secure wall mounting but unit can be installed in any angle. Suitable for 50Hz and 60Hz (1 phase) networks. A separate speed controller is available as ancillary.