

Lo-Carbon Silhouette® 150

Axial Kitchen Fans



Features & Benefits

- Stylish ultra low profile grille
- Downstream airflow guide vanes for improved pressure development
- Ball bearing motors for vertical or horizontal application
- Wall kit design meets Building Regulations Approved Document F requirements
- 5 Year Motor Guarantee
- 1 of 2 speeds selectable at installation
- IPX4 rated
- Low Specific Fan Power
- Suitable for wall, ceiling and panel mounting

Slimline Lo-Carbon Kitchen Ventilation

The Lo-Carbon Silhouette range is designed for modern living. With a profile of only 19mm on the kitchen models, Lo-Carbon Silhouette blends in with the wall surface to provide an unobtrusive installation.

Mounted in the centre of the fan, beneath the ultra slim profile grille, are the electronics, incorporating a humidistat (HT model) for detecting a change in internal humidity or an overrun timer option that is adjustable between 5 and 30 minutes.

FID performance of 67l/s, double insulated. Power consumption only 8.2 Watts.

Models

Lo-Carbon Silhouette 150B

150mm kitchen fan with indicator light and back draught shutter.

Stock Ref
441628

Lo-Carbon Silhouette 150T (Timer)

150mm kitchen fan with integral adjustable electronic overrun timer (5-30 minutes), indicator light which operates on manual override only and spring back draught shutter.

Stock Ref
441629

Lo-Carbon Silhouette 150HT (Humidistat/Timer)

150mm with integral adjustable auto humidity sensor from 60-90% RH and overrun timer, indicator light which operates on manual override only and back draught shutter. Hour Run Meter as standard on all Lo-Carbon humidity controlled Silhouette fans.

Stock Ref
441630

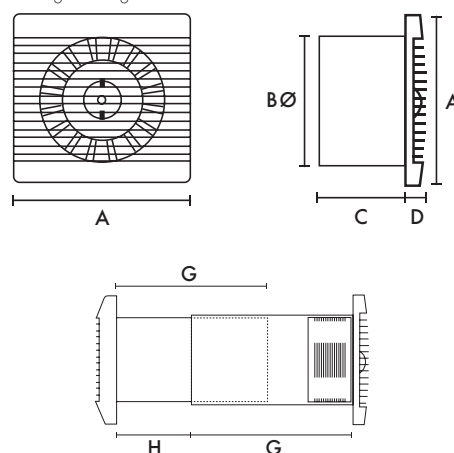
Wall Kit

Stock Ref
140902 (White)
140903 (Brown)

Dimensions (mm)

A	BØ	C	D	G	H
223	147	130	19	220	37

Weight 1.75kg



Performance

Setting	Model	Extract Performance			Sound dB(A)	SFP (W/l/s)
		m³/h	l/s	Watts	@ 3m	@ 0Pa
Utility Setting	Lo-Carbon Silhouette 150B/T/HT	165	46	5	35	0.11
Kitchen Setting	Lo-Carbon Silhouette 150B/T/HT	241	67	8.2	43	0.12

Fixing hole diameter 152mmØ (when wall kit used)