

Shower/In-line Fan Range

Domestic Range

SF100/120/150 ID100/120/150



- Designed for the safe ventilation of bathrooms, toilets and shower rooms, the SF/ID 100 (100mm 4") range of in-line extractor fans remove any risk of an electric shock in wet areas as the fan is mounted remotely.
- The SF/ID120 (120mm 5") series of in-line fans have been engineered for the ventilation of larger shower or bathroom areas, and are 56% more powerful than their 100mm counterparts.
- Powerful, yet extremely quiet in operation, the extract rate of the SF/ID100 is 85m³/hr 23 litres per second, whilst the SF/ID120 performs with an impressive 130m³/hr 36 litres per second. Also new to the range is the ID150 Tube Fan, with a top performance of 230m³/hr, 64 litres per second.
- Available with or without a timer, the SF100/120/150 fan kits are supplied complete with a fan unit, one length of PVC flexible ducting, one internal (white) and one external wall grille, fixing screws, plugs and straps to secure the duct to the grilles.
- The ID100/120/150 series comprises a fan unit only and is suitable for boosting another fan where a long run of ducting is used.
- The units are all manufactured using high impact ABS thermoplastics for strength and durability, aesthetics and easy cleaning.
- Power is provided by a single phase induction motor with pre-oiled bearings for a long, maintenance-free life.
- Designed to comply with the Building Regulations on Ventilation (F1).



Technical Details

Cat. No.

Product type

SF In-line fan kits with PVC duct and wall grilles

SF100/120/150S Standard model for remote switching

SF100/120/150T Timer model incorporating integral adjustable electronic timer (1-20 mins)

ID In-line fans only

ID100/120/150 Standard model (tube fan) for remote switching

ID100/120/150S Standard model for remote switching with bracket

ID100/120/150T Timer model incorporating integral adjustable electronic timer (1-20 mins)

Performance

SF/ID100 up to 85m³/hr, 23 litres per second

SF/ID120 up to 130m³/hr, 36 litres per second

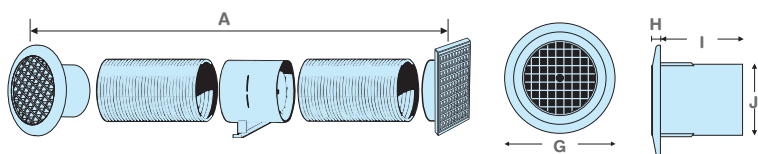
SF/ID150 up to 230m³/hr, 64 litres per second

Performance may vary depending on the length of ducting used

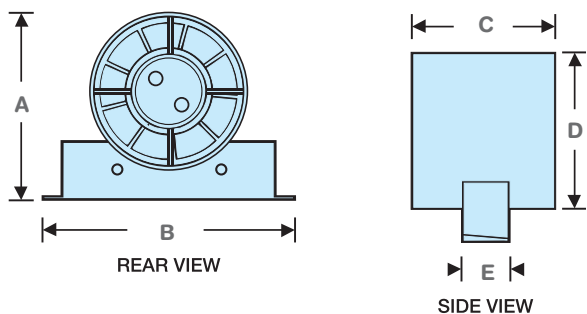
Dimensions (mm)

PRODUCT	A	B	C	D	E	F	G	H	I	J
ID100	98Ø	90	100							
ID120	116Ø	99	118							
ID150	148Ø	110	150							
ID100S	130	155	90	100Ø	27					
ID120S	150	155	99	118Ø	27					
ID150S	187	155	109	150Ø	27					
SF100S/T	Up to 3m	140	140	100Ø	33	15	140	10	50	98Ø
SF120S/T	Up to 4m	160	160	125Ø	37	16	140	10	50	116Ø
SF150S/T	Up to 5m	180	180	150Ø	35	15	140	10	50	148Ø

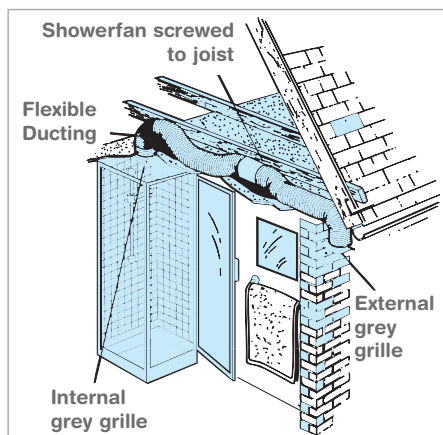
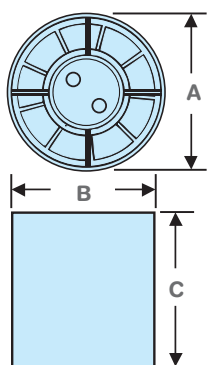
SF100/120/150 Circular and Square Grille



ID100S/120S/150S Series with Bracket



ID100/120/150 Series



Packaging

SF100 In outers of 10 measuring 515mm x 350mm x 820mm - weight 16kgs

SF120 In outers of 10 measuring 620mm x 396mm x 917mm - weight 17kgs

SF150 In outers of 5 measuring 440mm x 393mm x 1083mm. Volume 1.873

ID100 In outers of 10 measuring 220mm x 125mm x 490mm - weight 4kgs

ID120 In outers of 10 measuring 264mm x 144mm x 567mm - weight 5kgs

ID150 In outers of 10. For packaging dimensions, contact our technical department

ID100/S/T In outers of 10 measuring 282mm x 176mm x 490mm - weight 6kgs

ID120/S/T In outers of 10 measuring 328mm x 179mm x 567mm - weight 7kgs

ID150/S/T In outers of 10 contact our technical department for packaging dimensions

Installation

The shower fan is easy to install in the average loft/ceiling recess as after the hole has been cut in the ceiling of the shower/room, all other work is continued outside the living area.

Electrical

220-240V - AC. 50Hz Single phase consuming 15W on ID100, 15.5W on ID120 and 25W on ID150. These fans are double insulated and do not require an earth. All wiring must comply with current IEE regulations. A double pole isolating switch, having a contact separation of at least 3mm in all poles, must be used with a 3 amp fuse fitted.

Additional Data

100mm (4") Range

Maximum pressure: 20 p.a.
Fan speed: 2400 r.p.m.
Sound volume: 41.0 dB(A)
Maximum operating temperature: 40°C

120mm (5") Range

Maximum pressure: 35 p.a.
Fan speed: 2000 r.p.m.
Sound volume: 41.0 dB(A)
Maximum operating temperature: 40°C

150mm (6") Range

Maximum pressure: 50 p.a.
Fan speed: 2400 r.p.m.
Sound volume: 40.0 dB(A)
Maximum operating temperature: 40°C