

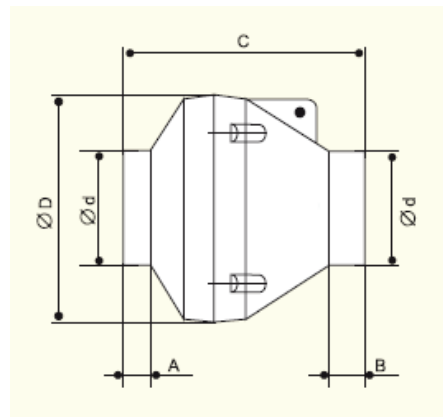


## UT150 / SC RADON MITIGATION FAN

- Integral speed control
- Excellent for long ducting runs
- Ideal for use with plastic systems
- Low noise and easy to install
- Complete with detach
- Non-corrosive, IP65 rated
- Thermal protection
- Ball bearing motors
- Suitable for mounting outside
- Anti vibration flexible connectors available



# IP 65



### Dimensions

Code	od	oD	C	A	B
UT150/SC	150	300	286	30	30