

GENIE-DC UNIVERSAL SURFACE MOUNTED EXTRACT FANS

LATEST ENERGY SAVING TECHNOLOGY APPLIED TO
PROVEN GENIE DESIGN.



AVAILABLE NOW FROM
i-sells.co.uk



Showroom:
15 St John's Parade
Sidcup High Street
DA14 6ES

EMAIL: sales@i-sells.co.uk
SALES: 020 8463 9696
WEB: www.i-sells.co.uk

BENEFITS

MEETS REGULATIONS

New Part F & L under (System 1) Intermittent extract fans.
Scottish building regs for intermittent bathroom extract fans.
BRE digest 398 under continuous mechanical extract ventilation.
Meets minimum fan power requirement in 'Domestic Building Services Compliance Guide' (2010 edition).

SILENT RUNNING

Utilising market leading motor and impeller technology to produce the quietest of fans.

QUICK AND EASY INSTALLATION AND MAINTENANCE

Clip in push fit components ensure reduced time on site. Replace your Genie internal components with latest energy saving technology, low wattage components.

EASY COMMISSIONING

Fan speed is fully adjustable.

ECONOMICAL

Daily running cost is 80% lower than AC fans due to low wattage motor technology.

POWERFUL YET COMPACT

Improved performance over the AC fan, up to 30l/s for the bathroom fan.

COMPLETE USER SAFETY

Flame retardant construction and Genie 12V model is IPX4 rated.

WIDE RANGE OF OPTIONS

Range is ideal for all applications including bathroom, en-suite, kitchen and utility areas. Available in 230V or 12V with a choice of controls.

FLEXIBLE SOLUTION

Mount anywhere. Install in the wall, ceiling or window. Low profile recess option is available. (Window kit code – WINKIT).

EASY TO CLEAN

Simply remove filter and wash in warm soapy water.

IDEAL FOR HIGH RISE BUILDINGS

Fan is capable of maintaining the set flow rate to within 5% even under wind load conditions.

WARRANTY

5 year warranty with extended warranty options.



CLIP IN PUSH FIT COMPONENTS

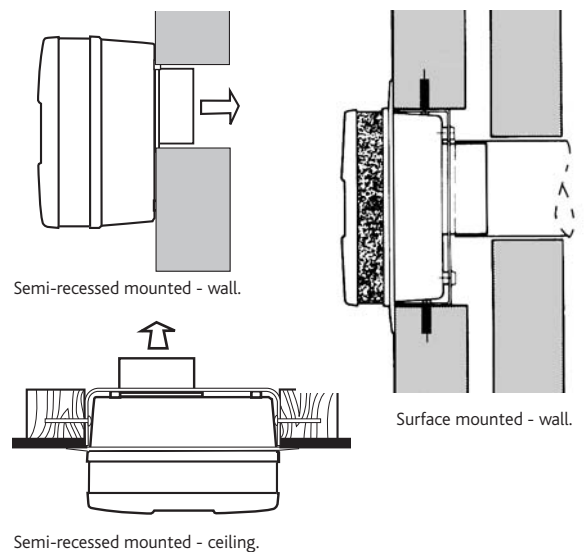
Easily removed fan/motor assembly. Removable electronic control module.



Plug-in wiring connector.

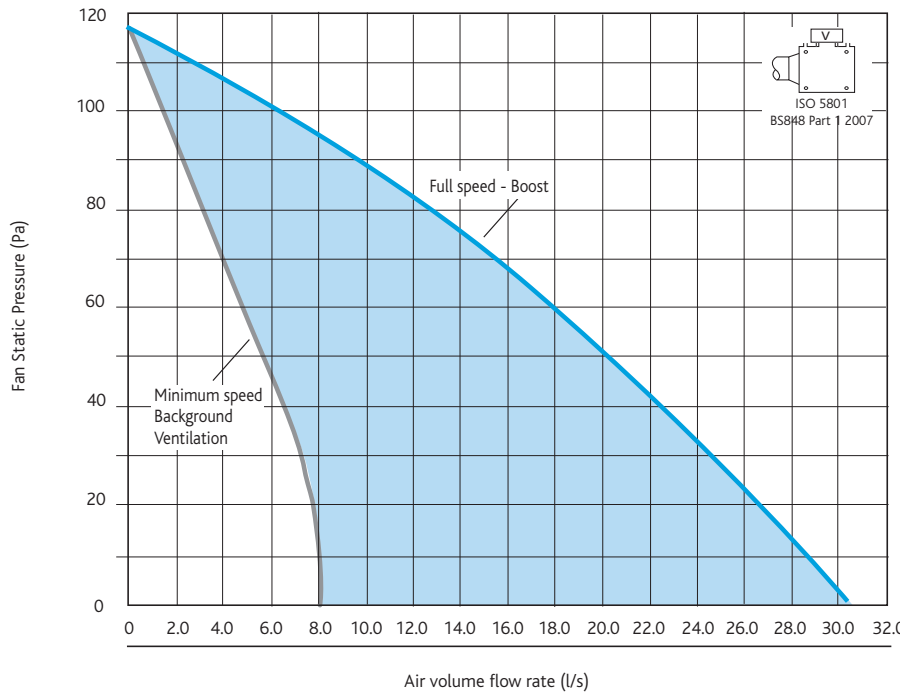


MOUNTING OPTIONS

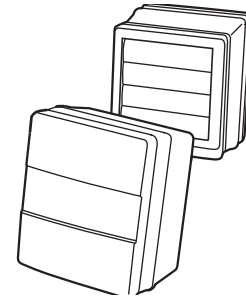


PERFORMANCE GENIE-DC EXTRACT FANS

Genie-DC Extract Fans



Casing



Note: see window kit for window version.

Code descriptions

GENIE-DC-H12



1. Genie range
2. Low wattage DC motor
3. Control function
4. Voltage

GENIE-DC FANS RANGE AND CONTROL FUNCTION

Unit Code	Min speed dBA@3m	Full speed/Boost	Mounting Type	Operating Voltage	Control function
GENIE-DC-S	16.0	34.5	surface	230	on/off control via light switch link or remote fan switch (by others) with adjustable run-on timer (1–60 mins).
GENIE-DC-S12	16.0	34.5	surface	12	12V on/off control via light switch link or remote fan switch (by others) with adjustable run-on timer (1–60 mins). Purpose made transformer.
*GENIE-DC-H	16.0	34.5	surface	230	on/off control via light switch link or remote fan switch (by others) or via integral pull cord with automatic override by integral adjustable humidistat.
*GENIE-DC-H12	16.0	34.5	surface	12	12V on/off control via light switch link or remote fan switch (by others) or via integral pull cord with automatic override by integral adjustable humidistat. Purpose made transformer.
GENIE-DC-X	16.0	34.5	surface	230	continuous ventilation at imperceptible noise level with boost duty activated via light switch or remote fan switch (by others) or integral pullcord. With adjustable run-on timer (1–60 mins).
GENIE-DC-X12	16.0	34.5	surface	12	12V continuous ventilation at imperceptible noise level with boost duty activated via light switch or remote fan switch (by others) or integral pullcord. With adjustable run-on timer (1–60 mins). Purpose made transformer.
*GENIE-DC-XH	16.0	34.5	surface	230	universal fan, continuous ventilation with boost via integral humidistat, pull cord or light switch (by others). With adjustable run-on timer (1–60 mins).
*GENIE-DC-XH12	16.0	34.5	surface	12	universal fan, 12V continuous ventilation with boost via integral humidistat, pull cord or light switch (by others). With adjustable run-on timer (1–60 mins). Purpose made transformer.

*Recommended for optimum humidity and odour control. Note: Code for Genie Window kit is WinKit.

AVAILABLE NOW FROM
i-sells.co.uk



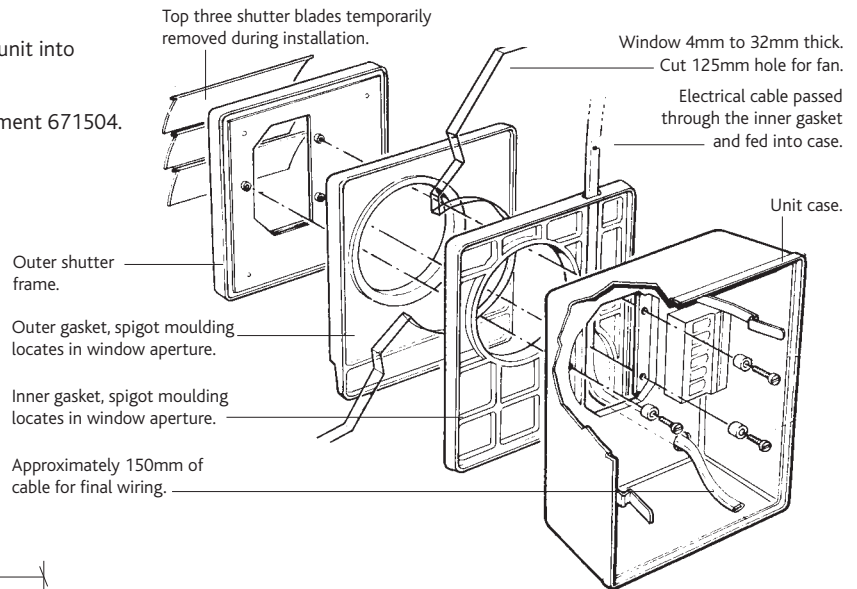
Showroom:
15 St John's Parade
Sidcup High Street
DA14 6ES

EMAIL: sales@i-sells.co.uk
SALES: 020 8463 9696
WEB: www.i-sells.co.uk

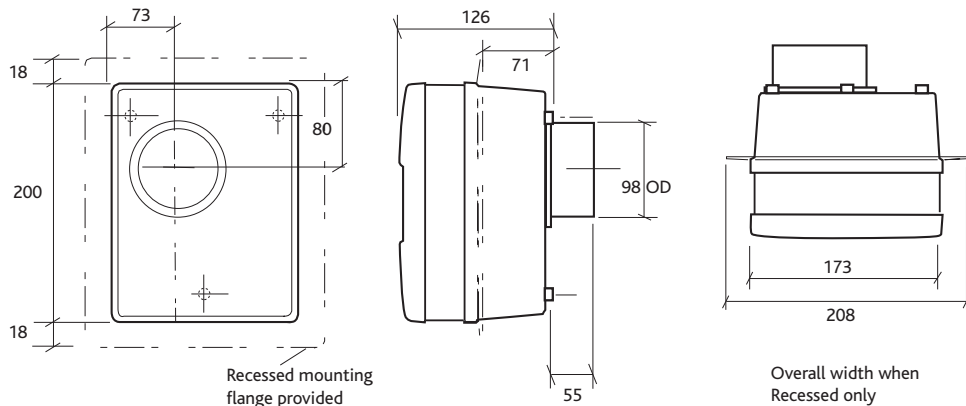
WINDOW MOUNTING OPTION

The window mounting kit is designed for mounting the unit into windows 4mm to 32mm thick using a 125mm dia hole.

For further information please refer to Installation document 671504.



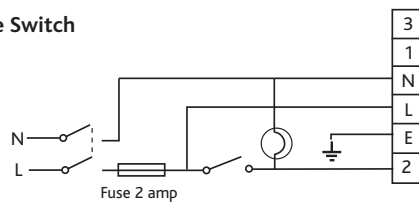
DIMENSIONS GENIE-DC FAN UNIT (MM)



WIRING - 230V AND 12V FANS

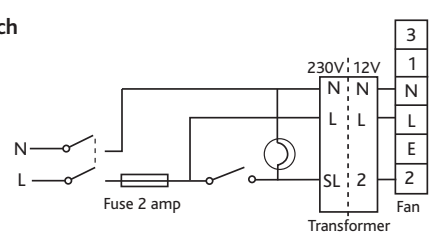
230V units via Remote Switch

- GENIE-DC-S
- GENIE-DC-H
- GENIE-DC-X
- GENIE-DC-XH



12V units via Remote Switch

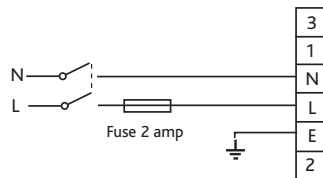
- GENIE-DC-S12
- GENIE-DC-X12
- GENIE-DC-H12
- GENIE-DC-XH12



The switched Live signal to terminal 2 must be at 230V to enable the fan and at 0V to stop the fan after the adjustable timed overrun period. Induced voltages in the switched live field wiring can keep the unit running.

230V units via Pullcord

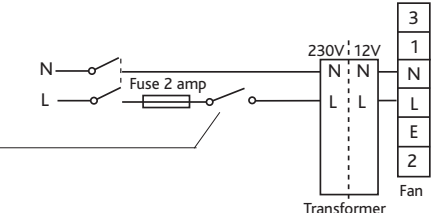
- GENIE-DC-H
- GENIE-DC-X
- GENIE-DC-XH



12V units via Pullcord

- GENIE-DC-X12
- GENIE-DC-H12
- GENIE-DC-XH12

As wiring for remote switch excluding switch.



Warning: For EMC compliance the 12V cable should not be fitted within 50mm of 230V or other cables or on the same tray/ trunking if made of metal. The earth connection in the transformer enclosure should not be used. No earth connection should be made to the 12V fan unit.

POWER CONSUMPTION

	230V	12V
Unit input power (watts)	12	16
Full load current (amps)	.14	.085
Starting Current (amps)	.14	.085

12V TRANSFORMER DETAILS

Transformer Installation notes for wiring sizes

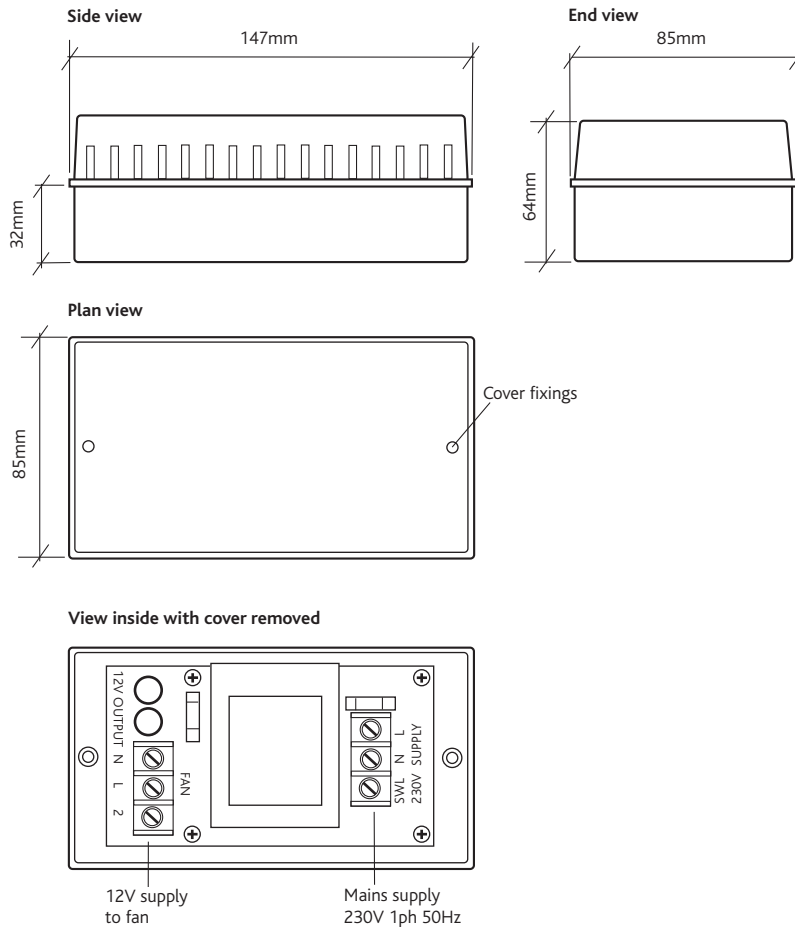
It is important to note that the size of wire used between the transformer and the fan unit can have an adverse effect on the units performance if the following table is not adhered to.

Mains Supply: (230V) 0.5mm sq.

Transformer to fan (12V units only)

Cable run (max. 10 metres)	Cable size
Up to 2m	0.75mm sq.
Up to 4m	1.00mm sq.
Up to 6m	1.50mm sq.
Up to 10m	2.50mm sq.

12V TRANSFORMER DIMENSIONS (MM)



AVAILABLE NOW FROM
i-sells.co.uk



Showroom:
 15 St John's Parade
 Sidcup High Street
 DA14 6ES

EMAIL: sales@i-sells.co.uk
 SALES: 020 8463 9696
 WEB: www.i-sells.co.uk

CONSULTANTS SPECIFICATION

GENIE-DC BATHROOM FAN

The unit shall be manufactured by Nuairé.

The unit shall incorporate, where necessary, a magnetically latched anti back draft shutter at the fan rear outlet. (except 'X' variants).

The unit shall be surface mountable incorporating a push fit, washable filter with an area of 23,750mm² and capable of conversion, if necessary, to semi-recessed format using flange supplied or window mounting format using optional fixing kit.

Unit noise level shall not exceed 35dBA @3m.

The unit shall incorporate an injection moulded forward curved centrifugal impeller.

The impeller shall be directly driven by a low energy, high efficiency 12V DC motor, fitted with sealed, self lubricating ball bearings.

Motors shall have locked rotor protection to prevent overheating in the event of fan failure.

The fan/motor assembly and the unit control assembly shall be capable of replacement as "plug in" modules without disturbing the field wiring.

To prevent over ventilation each unit shall be fitted with fully adjustable speed control. For single speed units one adjustable potentiometer is fitted. For continuously running fans adjustment can be made to both the continuous and boost speeds.

Units shall be fitted with a run-on timer facility (1-60 minutes) ('S' and 'X' variants).

Fan status indication to be visible on front of unit, with flashing LED to show fan failure.

Humidity detection units will vary speed proportionally with humidity level.

The unit complies with new edition (2010) Part F-ventilation building regulations (for System 1) intermittent extract fans and new edition (2010) Part L - conservation of fuel and power.

Meets the minimum fan power requirement of 0.5w/l/s in the 'Domestic Building Services Compliance Guide' (2010 edition).

Can comply with Scottish building regs for intermittent bathroom extract.

Can comply with BRE digest 398 under continuous mechanical extract ventilation (X-variants).

Plastic casing to be manufactured from flame retardant materials. The unit shall be designed for quietest operation to ensure occupant satisfaction.

The unit shall incorporate electrical connections to allow for the unit's "boost" airflow to be triggered by either the switched live signal ('S' variants) or pull-cord/switched live (X, H, & XH units)

The unit shall be supplied with a 5 year warranty.