

# Drimaster Filter Kit

For Drimaster Models Post 2001  
(Part No. ~~774485~~ 77563)

## Installation Guide



Please note: this filter kit is only suitable for Drimaster models manufactured post 2001, as units manufactured after this date incorporate built in retaining clips to hold the filters. (See figure 2).

Figure 1. Filter kit not suitable for Pre 2001 model.

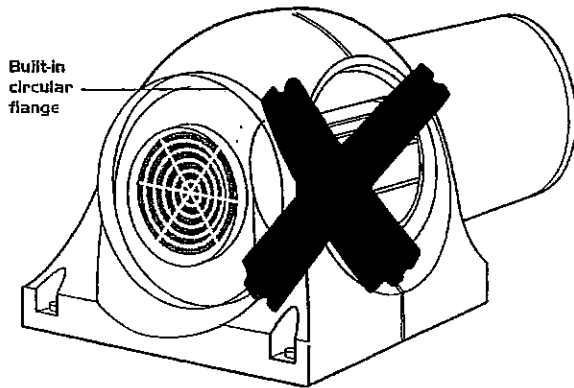


Figure 2. Post 2001 model with filter retaining clips.

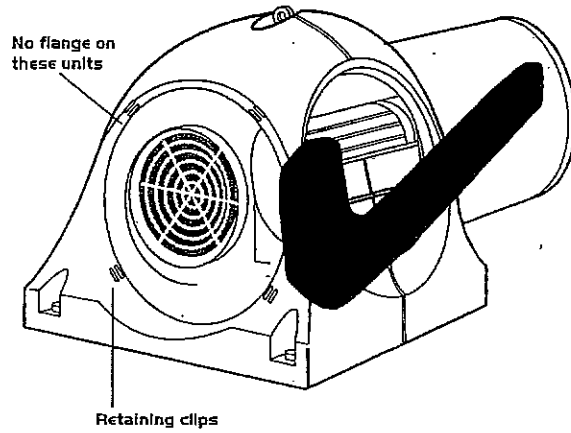


Figure 3.

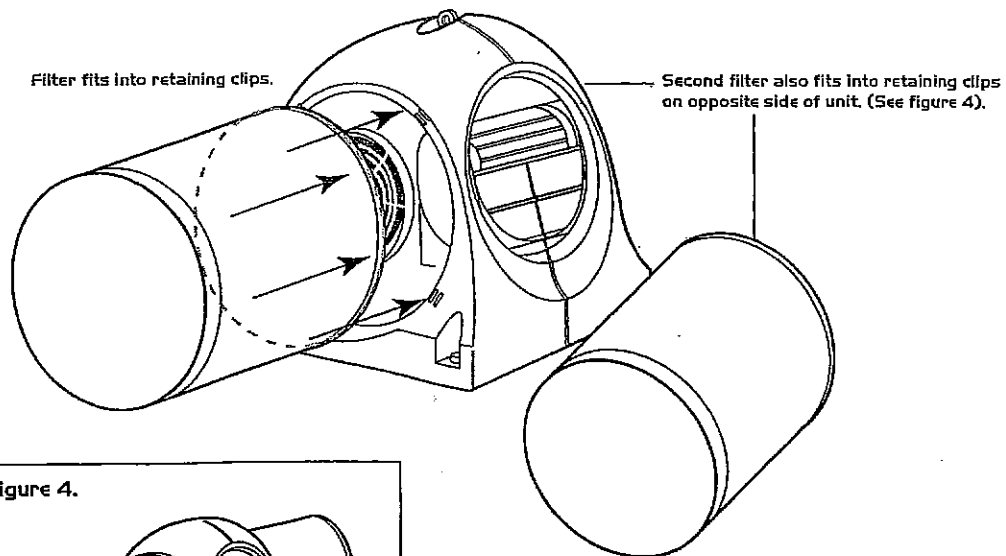
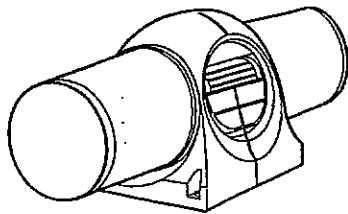


Figure 4.



For further information contact:

**Customer Services Department**  
on 02920 858 585