

Tectape Tapes



- Butyl extruded sealant tapes.
- Self-adhesive polyethylene gasket tapes.
- PVC/Cloth duct tapes.
- Aluminium foil duct tapes.

Tectapes

Self Adhesive Gasket Tape

Description

A high quality closed cell polyethylene gasket tape coated on one side with a high tack pressure sensitive adhesive. Suitable for a multitude of applications where permanent but "make and break" joints are required. Supplied in single rolls on release paper for ease of application and to prevent stretching during installation.

Product Data

Type:	Cross linked polyethylene closed cell foam.
Density:	33 kg/M ³
Temperature:	-5°C to +50°C
Application Temperature:	Above 10°C
Colour:	Dark Grey/Black
Chemical Resistance:	Good resistance to many chemicals. However, prolonged exposure may result in product swelling or shrinkage.

Product Range

12mm wide x 3mm thick x 25 metre roll
15mm wide x 6mm thick x 15 metre roll
20mm wide x 6mm thick x 15 metre roll
25mm wide x 6mm thick x 15 metre roll

Note: We also supply a 14mm x 6mm x 12 metre and a 19mm x 6mm x 12 metre closed cell neoprene type gasket tape.

Applications

Duct Flange Systems
Access Doors
AHU Panels

Butyl Extruded Sealant Tape

Description

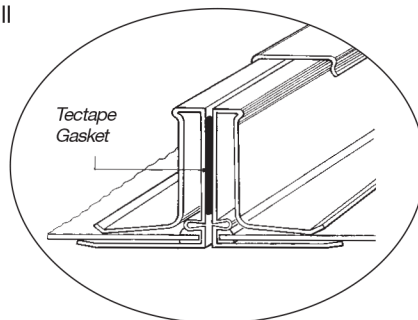
This Tectape is manufactured from an extruded butyl rubber and is ideally suited to forming permanent air and weather tight joints between sections of flanged ductwork, air handling unit panels, builders work openings and similar joint sealing applications. It is supplied in single rolls on silicone coated release paper for ease of application.

Product Data

Type:	Butyl rubber strip, 100% solids.
Specific Gravity:	Approx 1.7cm ³
Temperature:	-18°C to +70°C
Ageing:	Very good
Chemical Resistance:	Attacked by organic solvents. Fair resistance only to mild acids and alkalis.
Colour:	Grey

Product Range

12mm wide x 3mm thick x 4 metre roll
15mm wide x 4mm thick x 8 metre roll
19mm wide x 3mm thick x 4 metre roll
25mm wide x 3mm thick x 4 metre roll



Note: 15mm x 4mm x 8 metre size recommended for Ductmate flange system.

Applications

Duct Flange Systems
Cladding Panels etc.
Sealing between most building materials

Duct Tapes

PVC Tape – A quality flame retardant pvc tape, suitable for a variety of applications including duct sealing, drum or tube sealing and as an electrical insulating tape. Size – 50mm wide x 33 metre rolls. Colour – Grey.

PVC/Cloth Tape – A specially developed tape for duct sealing applications.

Manufactured from PVC coated cloth and coated with an aggressive, pressure sensitive adhesive. The cloth reinforcement prevents tape stretching during application. Size – 50mm wide x 50 metre rolls. Colour – Grey.

Aluminium Foil Tape – A heavy duty aluminium tape coated with an aggressive, pressure sensitive adhesive. Supplied in single rolls on coated release paper for ease of application.

Especially suitable for sealing aluminium ducting and vapour sealing on foil faced insulation. Sizes – 50, 75 and 100mm wide x 45 metre rolls. Colour – Silver.