

Zehnder Centair CMEV.4eHT

**Wall, floor or ceiling mounted continuous mechanical extract ventilation (MEV)
with humidity sensor**

Product data sheet

always the best climate



Centair CMEV.4eHT

The Zehnder Centair CMEV.4eHT is a central extract unit designed to enable better and easier specification of ventilation in new properties. It contains features such as its incredibly low specific fan power and compact size to provide a low running cost and space saving installation.



Example controls - sold separately



ZGS1 Switch



ZGS2 Switch

Key Benefits

- Specific Fan Power of just 0.16 w/l/s.
- 5 individual 125 mm extract spigots available.
- Compact design.
- Versatile installation to wall, ceiling or floor.
- Light to handle.
- 100% variable speed motors for precise commissioning.
- BMS capability.
- 0-10V input.
- Volt free contact boost capability.
- TimerSMART eliminates nuisance noise and over-ventilation by determining the duration of occupancy and allocating a suitable overrun time.
- HumidiSMART continuously monitors the humidity level within the home and looks for a man-made spike before boosting the unit, irrespective of distance or dilution.

Article Numbers

Description	Product Code
Unit Centair CMEV.4eHT for wall, floor or cupboard mounting with SMART technology	CMEV.4eHT
Controls Controls, three position switch for ComfoAir 155/185 and Centair range	ZGS1
Controls, two position switch for ComfoAir 155/185 and Centair range	ZGS2
Controls, remote air quality sensor	AQR
Controls, remote humidity sensor	HHR
Controls, remote passive infra-red movement sensor	PIRR
Controls, remote temperature sensor	THR

SAP PCDB

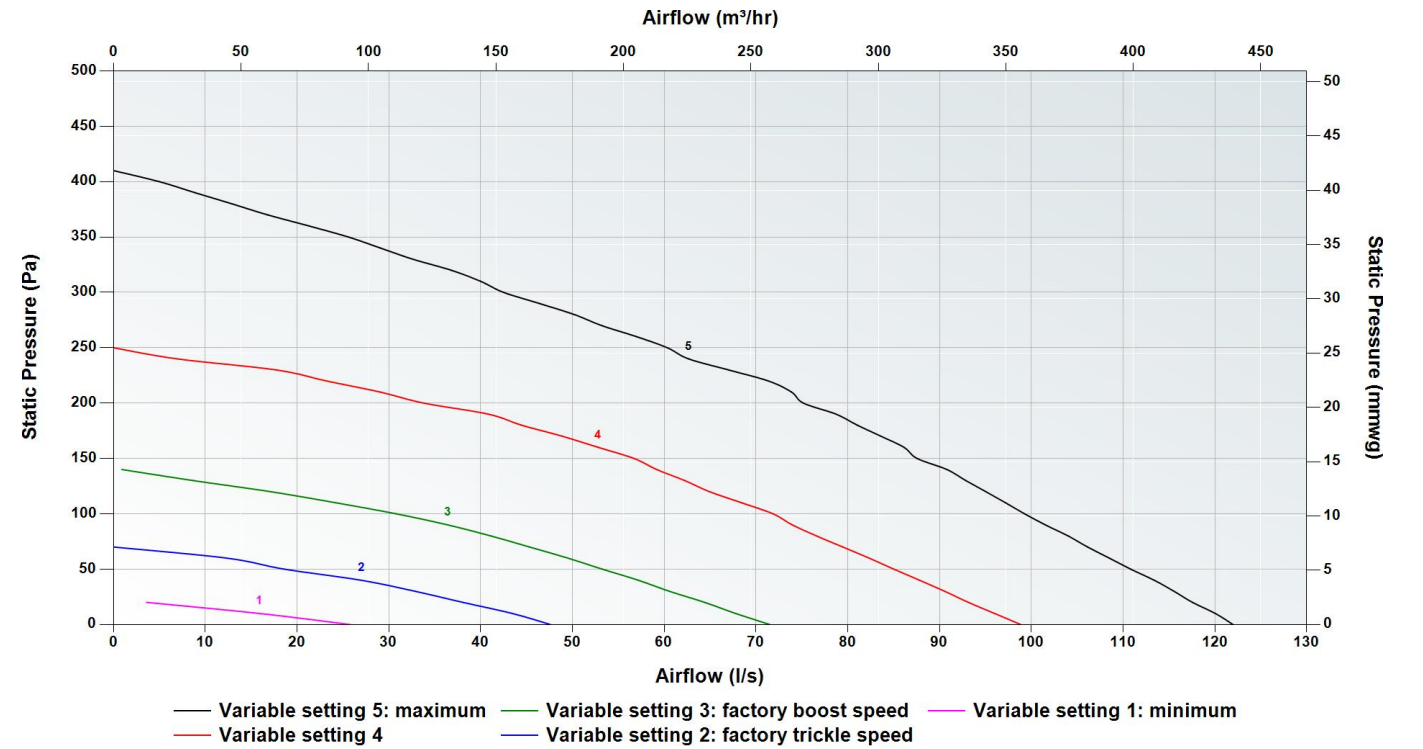
	SFP (W/l/s)	
	2009	2012
K+1	0.17	0.17
K+2	0.16	0.16
K+3	0.17	0.17
K+4	0.18	0.18
K+5	0.22	0.22
K+6	0.24	0.24

SEC Class

Based on average climate with central demand control

Based on average climate with local demand control

Pressure Curve



Sound Data

Setting	Test area	Octave Band (Hz) Sound Power Level, dB							dB(A) @ 3 m
		125	250	500	1000	2000	4000	8000	
1	Casing	29.6	17.9	16.1	12.7	13.9	18.6	25.2	8.7
	Extract	26.8	15.4	12.9	11.5	12.6	18.5	25.1	
2	Casing	32.9	34.0	25.1	17.6	15.2	18.6	25.2	13.0
	Extract	37.7	34.1	26.5	17.2	13.5	18.5	25.1	
3	Casing	39.9	42.7	40.6	29.5	26.2	19.9	25.3	22.8
	Extract	44.3	43.2	41.5	29.4	23.8	19.7	25.1	
4	Casing	42.9	49.2	50.5	43.7	35.8	27.2	26.4	31.5
	Extract	50.7	50.7	48.1	42.9	35.9	29.1	26.3	
MAX	Casing	45.1	49.9	48.5	48.5	40.1	33.0	28.0	33.7
	Extract	50.2	56.0	50.8	47.4	40.4	35.7	29.4	

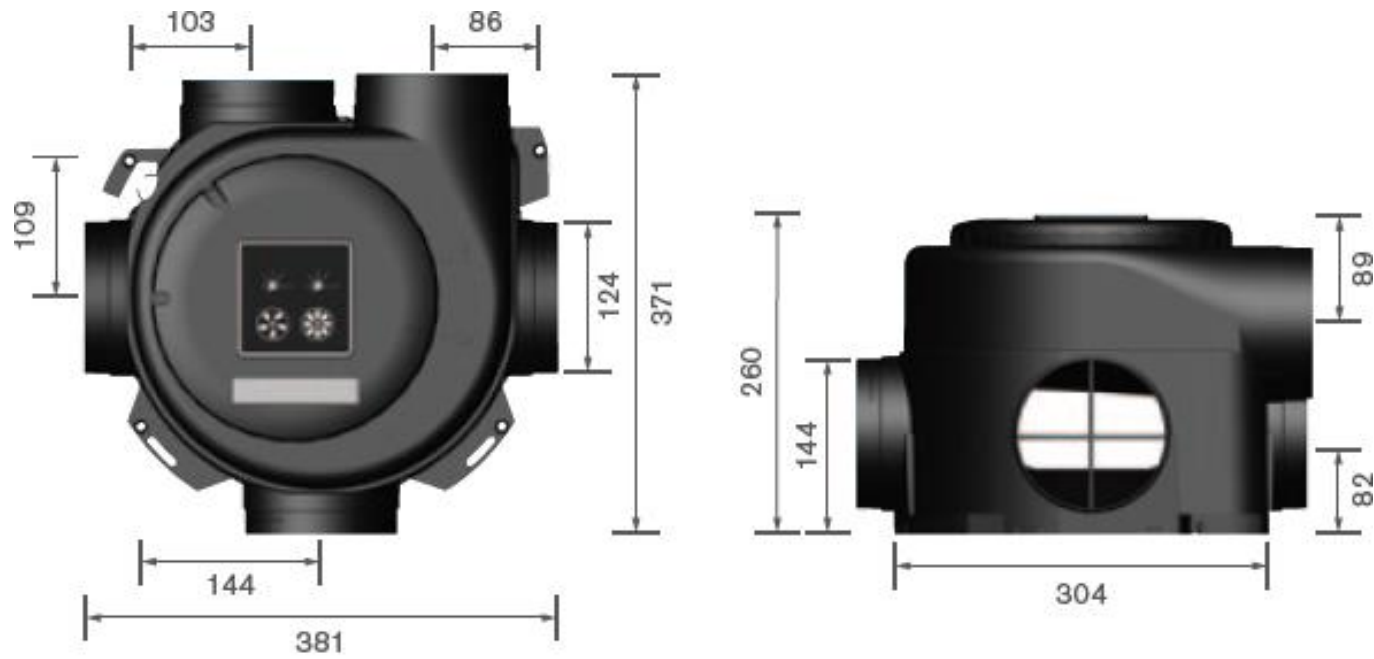
Tested according to BS EN 13141-6:2004. Extract showing induct sound power level. Casing dB(A) @ 3 m given as hemispherical.

Technical Specification

Weight	3.8 Kg
Ducting	125 mm
Number of extract spigots	5
Materials	High grade polypropylene
Supply voltage	230 V / single-phase / 50Hz
Maximum power consumption	38 W
Current draw	0.5 amp
Fuse rating	3 amp
Specific Fan Power	0.16 W/l/s

Dimensions

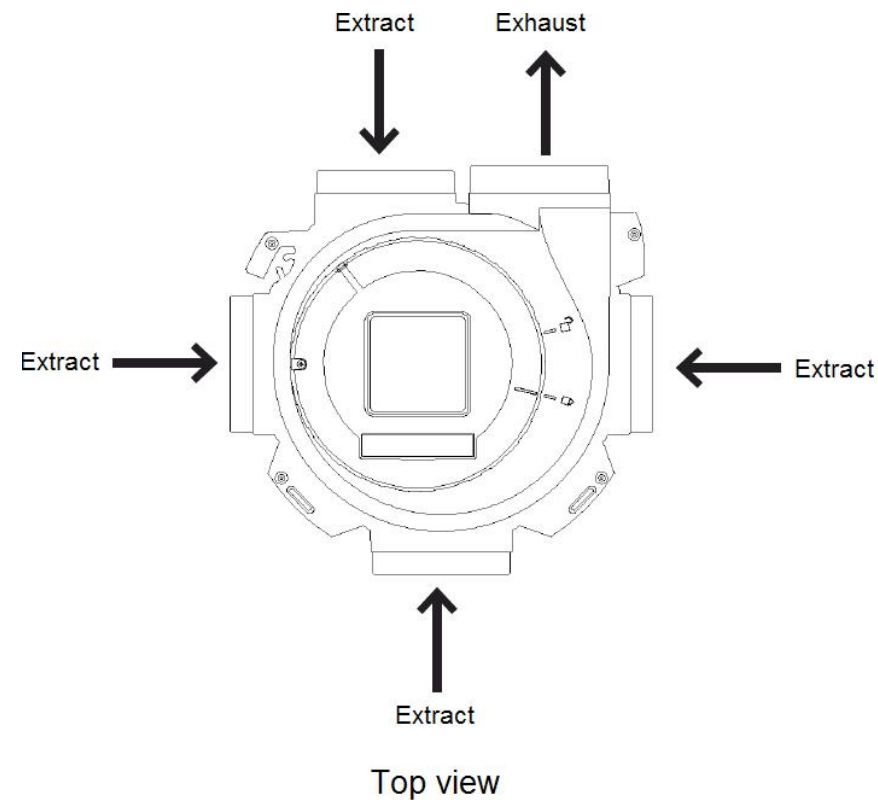
Height	260 mm
Width	381 mm
Depth	371 mm



Top

Side

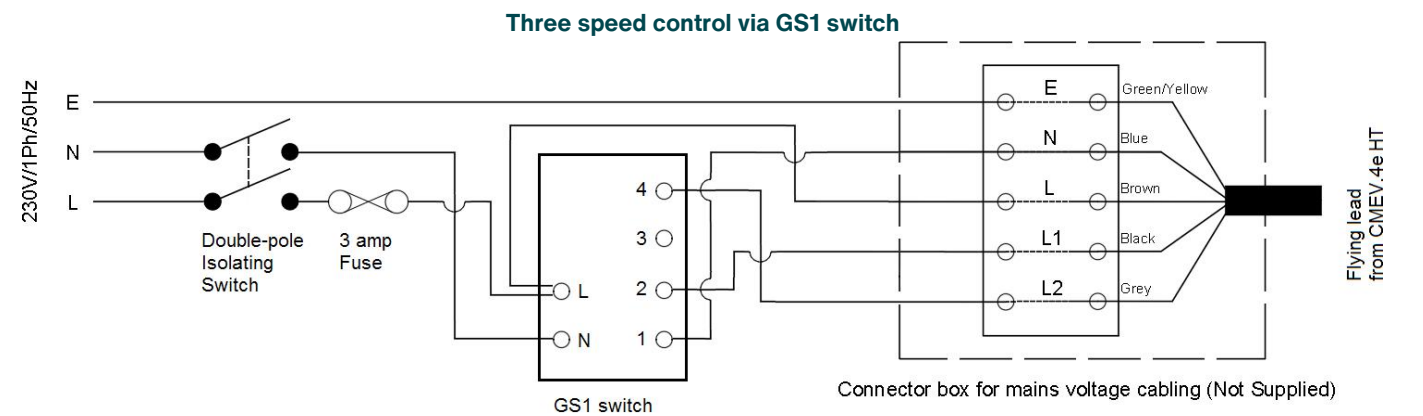
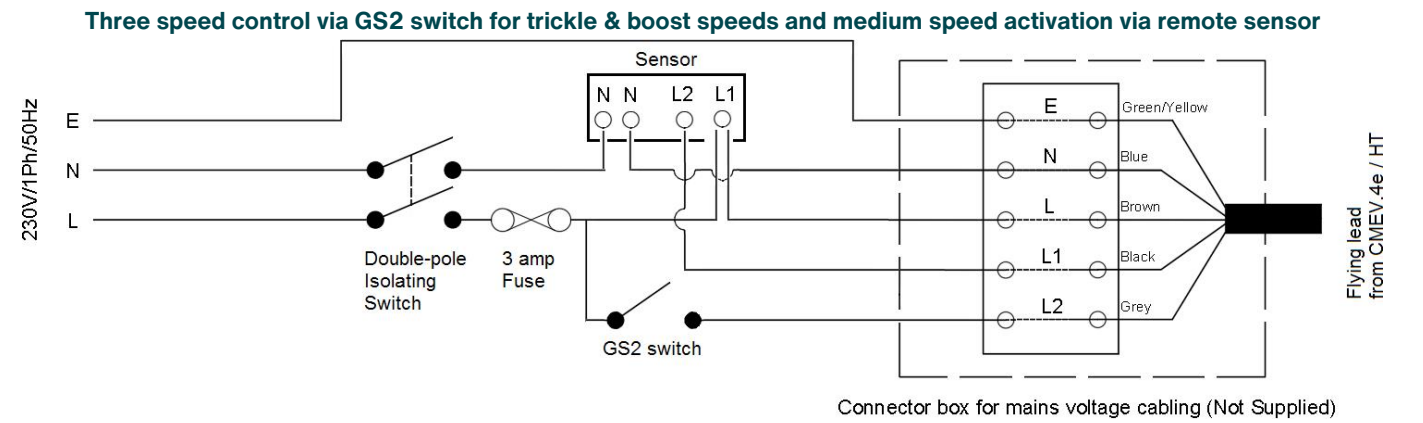
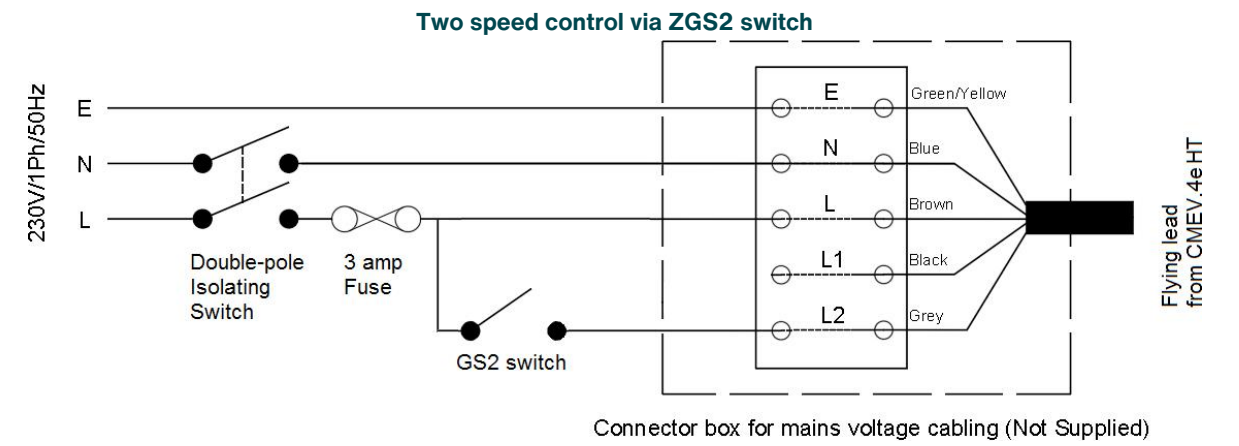
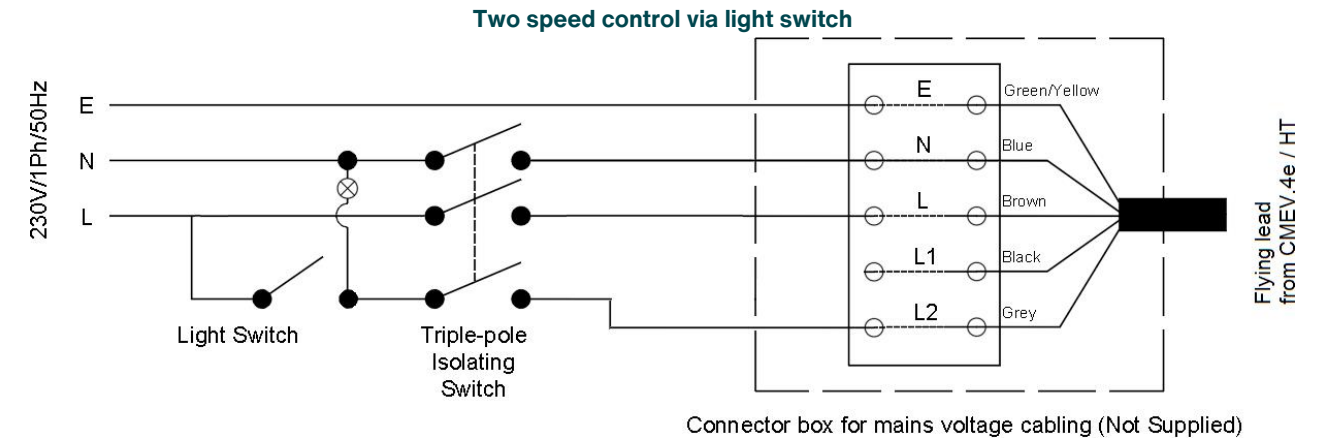
Air Direction/Connection



Top view

Wiring

Electrical connections should be carried out in accordance to [IEE regulations](#) by a qualified electrician. The unit is supplied with a flying lead for connection to the mains supply.



Controls

ZGS1

Product code: ZGS1



The Zehnder ZGS1 is a three position switch designed to enable the user to manually select the desired ventilation systems flow rate

Key Benefits

- 3 separate ventilation flow rate options to select in 1 controller

Technical Specification

Mounting options	Recessed
Supply voltage	Mains power - 230 V / single-phase / 50Hz

Dimensions (recessed)

Height	84 mm
Width	84 mm
Depth	22 mm

ZGS2

Product code: ZGS2



The Zehnder ZGS2 is a two position switch designed to enable the user to manually select the desired ventilation systems flow rate

Key Benefits

- 2 separate ventilation flow rate options to select in 1 controller

Technical Specification

Mounting options	Recessed
Supply voltage	Mains power - 230 V / single-phase / 50Hz

Dimensions (recessed)

Height	86 mm
Width	86 mm
Depth	15 mm

AQR

Product code: AQR



The Zehnder AQR remote air quality sensor enables a signal to be sent to the ventilation system to automatically place the unit into a higher flow rate.

Key Benefits

- Set activation level covering a range of pollutants such as hydrogen, CO, methane, ethanol and isobutane
- Adjustable overrun timer between 2-40 minutes
- Can be fitted with locking security straps to prevent tampering
- Suitable for locating where temperatures don't exceed 45°C

Technical Specification

Mounting options	Surface
Supply voltage	Mains power - 230 V / single-phase / 50Hz

Dimensions (surface mounted)

Height	86 mm
Width	93 mm
Depth	37 mm

HHR

Product code: HHR



The Zehnder HHR remote humidity sensor enables a signal to be sent to the ventilation system to automatically place the unit into a higher flow rate.

Key Benefits

- Set humidity activation between 30-90% relative humidity
- Adjustable overrun timer between 2-40 minutes
- Can be fitted with locking security straps to prevent tampering
- Suitable for locating where temperatures don't exceed 45°C

Technical Specification

Mounting options	Surface
Supply voltage	Mains power - 230 V / single-phase / 50Hz

Dimensions (surface mounted)

Height	86 mm
Width	93 mm
Depth	37 mm

PIRR

Product code: PIRR



The Zehnder PIRR remote passive infra-red movement sensor enables a signal to be sent to the ventilation system to automatically place the unit into a higher flow rate.

Key Benefits

- Senses movement up to 7 m away
- Adjustable overrun timer between 2-40 minutes
- Can be fitted with locking security straps to prevent tampering
- Suitable for locating where temperatures don't exceed 45°C

Technical Specification

Mounting options	Surface
Supply voltage	Mains power - 230 V / single-phase / 50Hz

Dimensions (surface mounted)

Height	86 mm
Width	93 mm
Depth	37 mm

THR

Product code: THR



The Zehnder THR remote temperature sensor enables a signal to be sent to the ventilation system to automatically place the unit into a higher flow rate.

Key Benefits

- Set temperature activation between 5-35°C
- Fixed 2 minute overrun timer
- Can be fitted with locking security straps to prevent tampering
- Suitable for locating where temperatures don't exceed 45°C

Technical Specification

Mounting options	Surface
Supply voltage	Mains power - 230 V / single-phase / 50Hz

Dimensions (surface mounted)

Height	86 mm
Width	93 mm
Depth	37 mm

BIM/CAD Components

If you would like to download the BIM / CAD files for this or any other of our products then please visit our BIM library.

TO VISIT OUR BIM/CAD LIBRARY

[CLICK HERE](#)

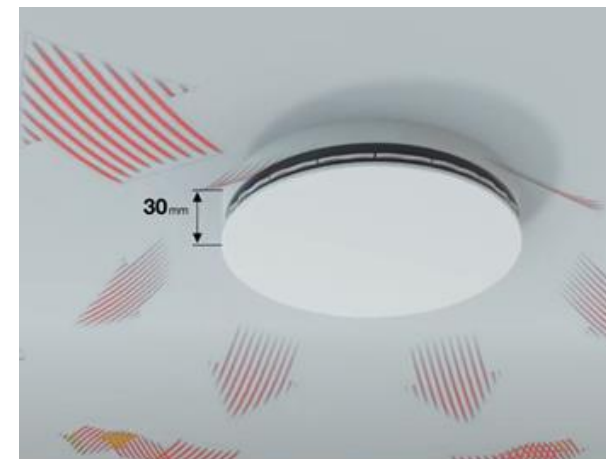
Installation Instructions

If you would like to download the installation files for this or any other of our products then please visit our download page by clicking the link below.

TO VISIT OUR DOWNLOAD PAGE

[CLICK HERE](#)

Our Informational Videos



Watch our video on how to install along with the benefits our Luna valve offers.

TO WATCH OUR VIDEO

[CLICK HERE](#)



Watch our video on how to change the Zehnder ComfoTube filter.

TO WATCH OUR VIDEO

[CLICK HERE](#)

Consultant Specification

Specification

The unit shall consist of a body manufactured in high grade polypropylene. It shall have EC low energy motors with sealed for life bearings. The fan shall have a backward curved centrifugal impellor.

The unit shall have multiple 125 mm diameter extract connections and a single 125 mm diameter exhaust connection for direct connection with standard ducting. It shall be suitable for vertical or horizontal orientation to wall, floor or ceiling.

The unit shall be constructed to enable fitting via a single corner fixing to allow easy alignment for remaining fixings. The unit shall be constructed to have a removable fan assembly to allow full maintenance access.

The unit shall conform to LVD and EMC standards and be CE Marked in addition to having an EU compliant energy rating label (SEC) with a minimum grade of D. The unit shall conform to [UK Electrical Equipment \(Safety\) Regulations](#) and [Electromagnetic Compatibility Regulations](#) and be UKCA Marked. The unit shall be manufactured by Zehnder.

Operation

The extract unit shall be a Centair manufactured by Zehnder and shall be suitable to mount on a wall, floor or ceiling in accordance with the specification.

The unit shall vary its speed of the EC motors automatically when it receives a signal from one of the inbuilt sensors or via external switches. The unit shall incorporate electrical connections to allow for the signal from a switched live 230 V, 0-10V input or volt free contact to vary its speed. The unit shall incorporate a relay contact to enable remote fault indication.

The unit shall have the ability to adjust and commission the extract motor via the front mounted in-built speed pots. The unit shall offer 100% variable speed control on both the low and high speeds.

Controls

All Centair units shall contain the following functions within the unit pre-wired and factory fitted by the manufacturer:

- 100% variable extract motor control
- Variable low and high speed flow rate set point
- BMS compatibility offering speed control and status indication
- Switched live input
- Volt free contact
- 0-10V input
- Humidity sensors to operate the unit in response to humidity spikes above natural background humidity levels as opposed to a single threshold humidity point to activate the high set point
- Variable overrun timer relative to high speed activation period