

iCON 60

Stylish large bathroom, utility room and kitchen ventilation



Key Features

- Mixed flow fan
- Flow rate up to 260 m³/hr
- Recess or surface mounting
- Different colour covers available
- Perfect for longer duct runs
- Unique iris shutter, prevents backdraughts, operates silently
- Interchangeable control modules match fan to installation requirements
- Circular design, no squaring up
- IPX4 rating
- Complies with Building Regulations - ADF
- 3 year warranty



iCON 60

iCON 60 is the largest, most powerful fan in the range. It is suitable for recessed or surface mounting in walls or ceilings and is highly efficient in domestic kitchens, large bathrooms and utility rooms.

iCON 60 is designed to provide ventilation levels that comply with the latest Building Regulations.

The iCON fan is an efficient, stylish and unique ventilation solution for the modern home. The shutter design makes switching on and off almost silent and helps reduce external noise ingress. The slim profile and iris shutter of the iCON make it a fan which will blend discreetly into any setting.



AVAILABLE NOW FROM

i-sells.co.uk



AIRFLOW 



AirflowDevelopments Ltd

Unit 6 Chiltonian
203 Manor Lane
Lee, London
SE12 0TX

SALES: 0208 463 9696
FAX: 08456 44 60 02
EMAIL: sales@i-sells.co.uk
WEB: <http://www.i-sells.co.uk>

Modules

72573602	Pull Cord
72612601	Timer
72687103	Humidity, Pull Cord with Timer overrun
72687104	Motion Sensor with Timer overrun
72687102	Motion Sensor Humidity Timer
72675701	Continuous Ventilation at 8/13 l/sec
72675702	Delayed Timer with Pull Cord
72675703	2 Speed Humidity Pull Cord boost



Technical data

Specification	iCON 60
Air flow m ³ /hr / l/sec	260 / 72
Fan type	Mixed Centrifugal / Axial
Mounting	Wall / Ceiling
Sound pressure dB(A)@3m	44.6
Power Watts	75
Building Regulations ADF	Yes
Duct diameter (mm)	150
Voltage	230v / 1ph / 50Hz
Rating	IPX4
Max ambient temperature	40°C
Weight (kg)	1.97
Dimensions (H x W x D) mm	280 x 280 x 165
Part No.	72591701

Covers

52634510	Silver
52634511	Sandstone
52634509	Anthracite



Silver

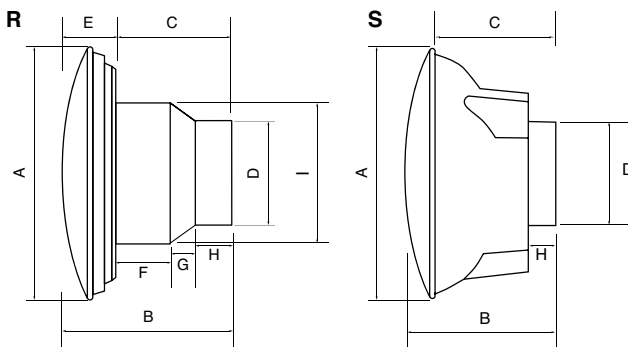


Sandstone



Anthracite

Dimensions (mm)

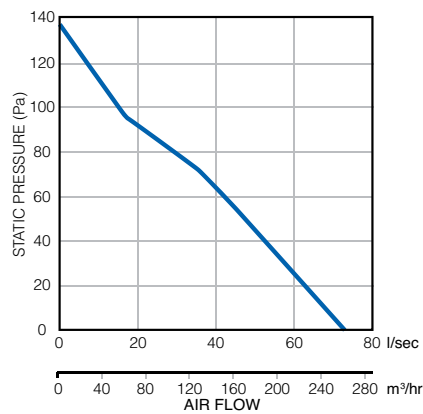


R = Recessed without skirt

S = Surface mounted with skirt

Model	A	B	C	D	E	F	G	H	I
iCON 60 R	280	165	110	148	55	38	20	52	177
iCON 60 S	280	165	80	148	-	-	-	46	-

Performance



Controls and Accessories

A range of accessories including flexible and rigid ducting kits, controls and grilles are available.

Call: 01494 560800

Visit: airflow.com



Airflow Developments Limited
Aidelle House, Lancaster Road,
Cressex Business Park,
High Wycombe, Buckinghamshire,
United Kingdom, HP12 3QP

E-mail: info@airflow.com
Telephone: +44 (0) 1494 525252
Facsimile: +44 (0) 1494 461073
airflow.com

© Airflow Developments Limited. Airflow Developments Limited reserve the right, in the interests of continuous development, to alter specifications without prior notice. All orders are accepted subject to our conditions of sale which are available on request

