

iCONstant

Continuous Ventilation



Key Features

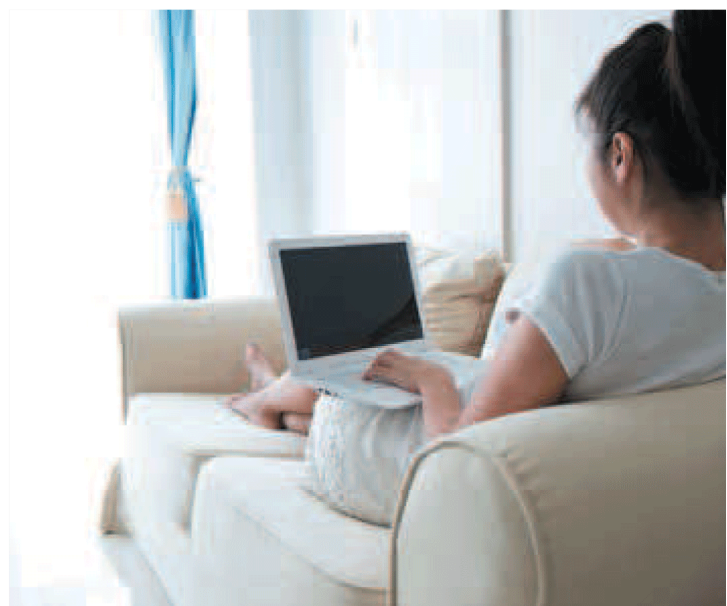
- Continuous running axial fan
- Selectable trickle flow rates from 6 l/sec
- Boost flow rate up to 20 l/sec
- Stylish circular design suitable for wall and ceiling mounting
- Ideal for New Build and Refurbishments
- Unique setup diagnostic LED light
- Very quiet running fan - from 10 dB(A)
- 24V DC Motor – economical to operate - from 1.07 watts
- Timer and humidity timer versions
- IPX5 rating
- Complies with Building Regulations
- SAP Appendix Q eligible
- 3 year warranty

iCONstant.

The market for Decentralised Mechanical Extract Ventilation (dMEV) fans is particularly prevalent in the social housing sector as specifiers, but also landlords and tenants, seek a ventilation solution that will satisfy the need for an energy efficient, economical to run and low noise fan with minimum human intervention.

iCONstant helps eliminate the problems of condensation and mould growth by continuously extracting the damp, moist air that is the source of the problem.

Choose iCONstant, the quiet, low energy dMEV fan from Airflow.



Models

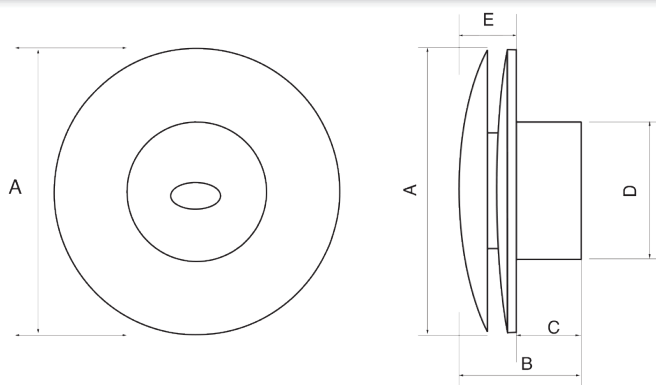
Timer	Timer can be set to run on for 15, 30 or 45 minutes
Humidity Timer	Intelligent humidity sensor adjustable between 60% and 90%. Timer overrun on manual boost



Technical Data

Specification	iCONstant		
Air flow m ³ /hr (trickle/boost)	22 / 29	29 / 47	47 / 72
Air flow l/sec (trickle/boost)	6 / 8	8 / 13	13 / 20
Fan type	Axial		
Controls	Timer/ Humidity Timer		
Sound pressure dB(A)@3m	10 / 15	15 / 28	28 / 38
Power watts	1.07 / 1.21	1.21 / 1.68	1.68 / 2.90
Amps	3		
Calculated Specific Fan Power (SFP)	0.18 / 0.15	0.15 / 0.13	0.13 / 0.14
Building Regulations ADF	Yes		
Duct diameter (mm)	100		
Voltage	100/240V-50/60Hz		
Rating	IPX5		
Weight (kg)	0.55		
Dimensions (H x W x D) mm	197 x 197 x 120		
Part No.	72687117 (T)	72687118 (HT)	

Dimensions (mm)

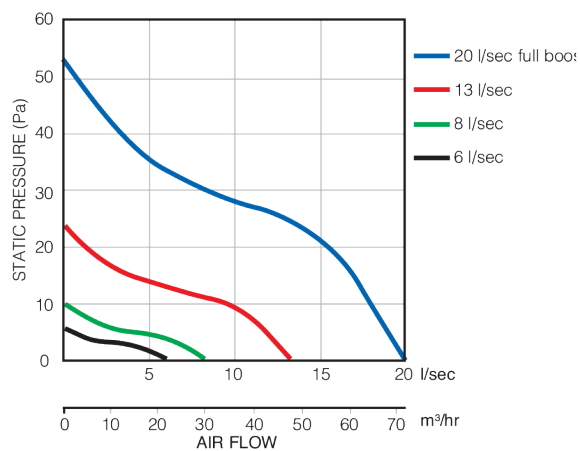


Model	A	B	C	D	E
iCONstant	197	120	70	100	50

SAP Appendix Q Performance

Unit configuration	Location	Fan speed setting	Specific fan power (W/l/s)
In room (rigid duct)	Kitchen	13 l/s	0.18
	Wet room	8 l/s	0.19
In room (flexible duct)	Kitchen	13 l/s	0.20
	Wet room	8 l/s	0.19
Through wall (rigid duct)	Kitchen	13 l/s	0.15
	Wet room	8 l/s	0.16

Performance



Controls and Accessories

A range of accessories including flexible and rigid ducting kits, controls and grilles are available.

iCONstant

Continuous Ventilation

Why dMEV?

In the Building Regulations dMEV is often referred to as Continuous Mechanical Extract Ventilation. The Airflow iCONstant dMEV continuous ventilation fan will provide the perfect solution for both new build and retrofitting into any domestic home, particularly where there has been

an increased level of insulation making it more airtight or the homeowner/tenant has a particular problem with condensation or mould. The iCONstant with Timer or Humidity Timer functionality are also SAP Appendix Q eligible.

Economical to Operate – less than a light bulb

iCONstant has been developed to consume minimal energy by using a highly efficient DC motor. The motor draws a mere 1.07w on the trickle speed of 6 l/sec. The boost speed on the humidity version is intelligently controlled so as to minimise the period of the boost flow and not significantly ramp up the running costs.

The yearly running cost of the iCONstant is less than that of a low energy light bulb. A small price to pay to ensure the well-being of the occupier and help preserve the fabric of the building.

Versatile Applications – one fan for all rooms

iCONstant dMEV fans can be used in any of the wet rooms. The required trickle rate is selected by the installer when the fan is fitted – this is dependent on the application - for toilets select 6 l/sec, en-suites, bathrooms and utility rooms select 8 l/sec and for kitchens it is 13 l/sec.

The boost speed will be the next speed level up with a maximum speed of 20 l/sec. The boost to the higher speed is activated by one of the following methods; momentary pull cord, remote switch or intelligent humidity sensor.

Simple Controllability – optimizing your ventilation

On the timer function, the boost speed is set to run on for 15, 30 or 45 minutes. With the Humidity Timer version, the intelligent humidity sensor will activate the boost speed when the set point is reached – this can be adjusted anywhere between 60% and 90%. When the

humidity level falls below the set-point again, the fan will revert to the trickle speed. However, if the boost speed is triggered manually by pull cord or remote switch, the overrun timer function will come into effect.



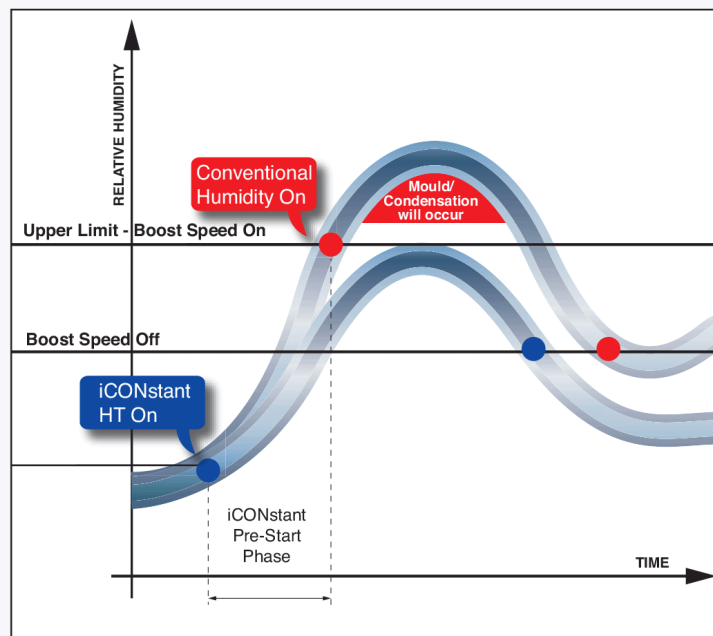
Packed with useful features with the user in mind

Airflow's intelligent humidity sensor offers the additional feature of being able to recognize a rapid increase in humidity and activates the boost speed before the pre-set value is reached so that preventive ventilation commences. Should this occur, the fan reverts to the trickle speed when the humidity level is within 10% of the set-point. The benefits of this are that energy consumption is kept to a minimum and noise levels are reduced whilst ensuring optimum ventilation is achieved.

Another feature is the ability to delay the start of the boost function by two minutes on the timer version. This is particularly advantageous for those quick visits during the middle of the night. The boost activation on the pull cord is instant.

The fan is fitted with a flow sensor which ensures the fan maintains a constant extraction rate under all conditions. This eliminates the need for any human intervention should conditions or back pressure change - even on a windy day.

Airflow has introduced a unique setup diagnostic LED light on the iCONstant to assist installers in the setting up process.



User safety is our priority

As we have achieved IPX5 ingress protection rating on this product, you will be able to fit the iCONstant anywhere within Zones 1 and 2* of your bathroom/ en-suite. This makes our product incredibly safe to operate which is another reason for housing associations and

landlords to specify iCONstant, also it is easy for the installer to position the fan. Airflow is the only supplier to offer a dMEV product for both wall and ceiling installation with this IP rating.

* Wired in accordance with IEEE wiring regulations 17th edition

Another stylish design from Airflow

The iCONstant is designed to be recessed into either the wall or the ceiling. The white cover can be wiped clean with a wet cloth or removed with the simple twist off action when the cover and or inner parts require a proper clean. Should you wish to hide the momentary pull cord in ceiling installations for example, we have designed the product in such a way that the cord can be neatly stowed away within the fan.

iCONstant's circular design is based on our very successful iCON brand of extractor fans. Customers like our circular design as this enhances the style and appearance of the room plus a round fan is simple and quicker to install saving on costs once again.



AVAILABLE NOW FROM
i-sells.co.uk



Showroom:
15 St John's Parade
Sidcup High Street
DA14 6ES

EMAIL: sales@i-sells.co.uk
SALES: 020 8463 9696
WEB: www.i-sells.co.uk